



WILLIAM JOHNSTON & COMPANY LIMITED



Glasgow Tel: +44 (0) 141 620 1666 | Inverness Tel: +44 (0) 1463 238 673
sales@williamjohnston.co.uk | www.williamjohnston.co.uk

YOUR OFFICIAL UK DISTRIBUTOR FOR LINK-SEAL

Link-Seal...the world's standard for sealing pipe penetrations
passing through walls, floors and ceilings.



DESCRIPTION

Century-Line® Pipe Penetration Sleeves are used to create circular sleeved holes in concrete poured barriers including; walls, floors, ceilings, structural supports and tank footings. Molded from non-conductive, high impact resistant HDPE, Century-Line® sleeves are lightweight and easily installed by one construction worker. They are available in 16 diameters ranging from 2" to 25" and shipped, from stock, in any desired length.

Century_line® sleeves are engineered to mate with Link-Seal® modular mechanical seals for a lifetime of leak-proof performance. PSI/Thunderline?Link-Seal® is your one-stop source for everything you need to effectively seal the annular space between pipes and concrete barriers through which they pass.

BENEFITS/FEATURES

16 sizes - 2" to 25" in diameter - Local stock, drop ship overnight.

- In the event of a field or engineering change, sleeves may be cut shorter at the job site using ordinary hand tools. Standard sleeves are 16" (406mm) in length. Longer length models may also be quickly fabricated as a custom ordered item.

Positive hydrostatic seal...

- Link-Seal modular seals are rated at 20 psig (40 feet of head), which exceeds the performance requirements of most applications.

1/8 the weight of steel.

- Century-Line® sleeves are light enough for one worker to install without a crane, hoist or helper which reduces installation time and costs. Century-Line® sleeves are easy to stock and store and far less expensive to ship, when compared to steel sleeves.

Resists water migration.

- The 2" (50.8mm) water stop collar not only anchors the sleeve in position but creates a long tortuous path against the migration of water around the outside of the sleeve.

Used for shotcrete wall applications.

- For shotcrete applications, Century-Line® Sleeves are easily positioned to wall form with threaded rod, and the end caps protect the sleeve penetration while the wall is formed.

Adjusts to wall thickness.

- Century-Line® sleeves unique hollow water stop collar acts like an expansion joint, adjusting (up to 1/2" - 12.7mm) to the thickness of the wall. This compressive force reacts against the forms like a spring, creating a prevailing tension which maintains proper sleeve location within the form.

Nailer end caps position sleeve precisely in form.

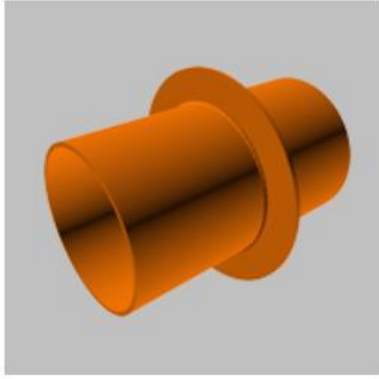

- Specially designed end caps provide an ideal method for attaching Century-Line sleeves to the concrete forms. The end caps assure that the sleeve holds its circular configuration during the pour. In addition to keeping out wet concrete, they also prevent dirt from entering the sleeve during backfill operations or the interim construction period.

Tough high density polyethylene (HDPE) construction.

- High impact-resistant HDPE also provides excellent resistance to acids, alkalis and other organic solvents. Ideal for cathodic protection systems, these non-conductive sleeves will neither rust, corrode or degrade. Low-temperature properties are such that they may be installed under any weather conditions suitable for pouring concrete. High temperature application limit is 150° F. (66° C.). The sleeve is molded with a texture on the outside surface to assure a better bond, than most other plastics, to concrete interfaces.

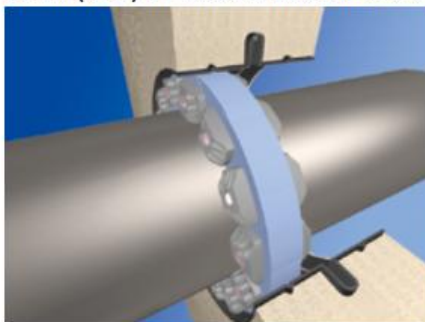
WEIGHT AND DIMENSIONAL DATA

Weights and Dimensional Data Model CS (16" length)				
MODEL	I.D. (In.)	I.D. (mm)	lbs.	Kg.
CS-2	1.98	50.3	0.70	0.32
CS-3	2.94	74.7	1.30	0.59
CS-3-1/2	3.38	85.9	1.50	0.68
CS-4	4.03	102.4	2.00	0.90
CS-5	5.14	130.6	2.80	1.27
CS-6	6.14	156.0	3.60	1.63
CS-8	8.21	208.5	4.80	2.18
CS-10	10.19	258.8	6.40	2.90
CS-12	12.26	311.4	7.20	3.27
CS-14	14.14	359.2	11.20	5.08
CS-16	16.18	411.0	12.00	5.44
CS-18	17.45	443.2	15.50	7.03
CS-20	19.12	485.6	17.50	7.94
CS-22	20.32	516.1	21.00	9.53
CS-24	22.76	578.1	22.00	9.98
CS-25	24.81	630.2	23.00	10.43

Weight Comparison	
WS STEEL SLEEVE WS-12-37-S-12 = 60 lbs.	Century-Line® Sleeve CS-12-12 = 6.5 lbs.
	

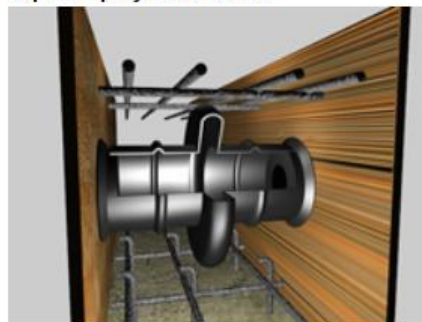
TYPICAL APPLICATIONS

Century-Line® Model CS Sleeves in Combination with "low durometer" EPDM (blue) Link-Seal® Modular Seals



Century-Line® Model CS Sleeves are ideal for poured wall construction. Made of HDPE thermoplastic, they are lightweight and easy to handle. Molded-in waterstop and reinforcing ribs serve to anchor the sleeve in the wall and resist pour forces. Nailer end caps are provided to make placement in forms simple and accurate. Sleeves are available in 16 diameters, up to 25", and any length. In the event of a field change they can be shortened with ordinary hand tools.

Hollow water stop collar and Nailer end caps simplify installation.



The unique water stop collar acts like an expansion joint, adjusting (up to 1/2" - 12.7mm) to the thickness of the wall. In addition, nailer end caps may be nailed to concrete forms while they also form a smooth beveled finish between wall and formed hole.

Pump Room Application



The Century-Line Sleeves await the pipe and Link-Seal modular seals, for the no leak solution in this pump room. Please notice that the 24" Century-Line Sleeves were no problem to install at the top of the wall. Contractors easily installed the Century-Line Sleeves; steel sleeves would have been a heavy load to install at this height.

SPECIFICATION

Century-Line® Sleeves - for openings to 24.81" diameter. Where pipes must pass through walls and floors of new structures, unless otherwise shown or specified, install molded non-metallic high density polyethylene Model CS Century-Line® sleeves as manufactured by PSI-Thunderline/Link-Seal®. Model CS sleeves shall have integrally formed hollow water stop sized having a minimum of four inches larger than the outside diameter of the sleeve itself and allowing 1/2" movement between wall forms to resist pour forces. Each sleeve

assembly shall have end caps manufactured of the same material as the sleeve itself and installed at each end of the sleeve so as to prevent deformation during the initial concrete pour, and to facilitate attaching the sleeve to the wall forms. End caps shall remain in place to protect the opening from residual debris and rodent entry prior to pipe insertion.

WARRANTY

All products are warranted against failure caused by manufacturing defects for a period of one year. Any product found to be so defective and returned within one year from date of shipment will be replaced without charge. The above warranty is made in lieu of, and we disclaim, any and all other warranties,

expressed or implied, including the warranties of merchantability and fitness for a particular purpose, and buyer agrees to accept the products without any such warranties. We hereby disclaim any obligation or liability for consequential damages, labor costs or any other claims or liabilities of any kind whatsoever.

Disclaimer

Please note, failure to select the correct materials or products we supply ("the Products") may result in damage to plant, equipment or property. In some instances, it may cause death or personal injury. We are not designers and do not give advice about design related matters concerning the Products. We can help and assist with the technical specifications for the Products. In specific applications, particularly where critical conditions exist, we will try to assist you within the limitations of the services that we offer. All information supplied by us is intended as technical co-operation outlining the specifications of the different Products which we supply. To the extent permitted in law, no warranty is given in respect of any information supplied by us. The customer must satisfy themselves as to the suitability of the Products for their intended application and use. The correct fitting of Products is the responsibility of the customer. Your statutory rights remain unaffected. Save in respect of death, personal injury or fraud, our entire liability to you, however arising from the supply of Products shall be limited to the £10M indemnity amount provided by our insurers.